

Singer 146-31
Singer 146-33
Singer 146-71

INSTRUCTIONS FOR OILING

To ensure easy running and prevent unnecessary wear of the parts which are in movable contact, the machine requires oiling and when in continuous use, "TYPE B" or "TYPE D" OIL, sold only by Singer Sewing Machine Company, should be applied at least twice each day to all oil holes marked "OIL", as instructed in Form 20436.

"TYPE D" OIL is stainless.

Copyright, U. S. A., 1938, 1939 and 1941
by The Singer Manufacturing Co.
All Rights Reserved for all Countries

INDEX

	Page
Accessories.....	23
Fittings for Single Thread Chain Stitch.....	23
Machine No. 146-31.....	14
Machine No. 146-33.....	17
Machine No. 146-71.....	5
Numerical List of Parts.....	27
Obsolete Parts.....	26
Replacement Parts for Machine Balancer No. 137157.....	19
Thread Unwinder.....	24

From the library of [Diana N. Reed Corp](#)

INSTRUCTIONS FOR ORDERING

In ordering from this list, use ONLY the part NUMBER in the FIRST column.

The number stamped on a Sewing Machine Part is in every case the number of the single part only.

Every combination of parts sent out as such has its specific number, which, although not stamped on the parts, must be used when ordering the combination.

Each number always indicates the SAME PART in whatever list it appears, or for whatever machine.

The letters after some of the numbers indicate the style of finish only, as follows:

- A-Hardened, Polished, Nickel Plated and Buffed
- A.A-Buffed and Chromium Plated
- A.B-Hardened, Polished, Buffed and Chromium Plated
- A.C-Brown Baking Enamel Finish
- A.D-Gray Baking Enamel Finish
- A.E-Hardened, Bright Rumbled and Nickel Plated
- A.F-Hardened, Bright Rumbled, Nickel Plated, Bright Rumbled and Chromium Plated
- B-Polished, Nickel Plated and Buffed
- C-Hardened Only
- C.R-Hardened and Merlized
- D-Polished Only
- E-Soft, Not Polished
- F-Hardened and Polished
- F.J-Hardened, Polished and Nickel Plated
- G-Bright Rumbled and Nickel Plated
- H-Blued
- J-Nickel Plated Only
- K-Hardened and Nickel Plated
- L-Brass Plated
- M-Oxidized
- N-Japanned, Dull
- P-Japanned, Bright
- P.P-Wrinkle Finish
- R-Merlized
- S-Cadmium Plated
- T-Copper Plated
- T.A-Hardened, Polished, Copper and Nickel Plated and Buffed
- T.B-Copper and Nickel Plated and Polished
- T.J-Copper and Nickel Plated Only
- T.K-Hardened, Copper and Nickel Plated
- T.L-Copper and Brass Plated
- T.M-Copper Plated and Oxidized
- U-Zinc Plated
- V-Silver Plated
- W-Polished and Nickel Plated
- X-Black Oxide, for Iron and Steel
- X.C-Hardened and Black Oxide, for Iron or Steel
- Y-Black Nickel Plated Only
- Z-Chromium Plated
- Z.A-Hardened, Polished, Nickel Plated, Buffed and Chromium Plated
- Z.B-Polished, Nickel Plated, Buffed and Chromium Plated
- Z.C-Hardened and Chromium Plated
- Z.D-Polished and Chromium Plated
- Z.G-Bright Rumbled, Nickel Plated, Bright Rumbled and Chromium Plated
- Z.J-Nickel and Chromium Plated
- Z.T-Copper and Chromium Plated

These letters MUST BE USED when they appear in the list; and AFTER the number as in the list.

In this series:

- 1 to 1500, 50001 to 51500 and 140001 to 142000 are Screw Numbers
- 1501 to 1800 and 51501 to 51800 are Nut Numbers
- 1801 to 2000 and 51801 to 52000 are Roller Numbers
- 2001 to 50000 and 52001 to 140000 and 142001 to 190000 are Sewing Machine Parts, 190001 and upward are numbers of Electrical Parts.

The figures in the second column refer only to the plates, illustrating the parts, and are NOT TO BE USED in ordering.

Parts marked with an asterisk (*) are furnished only when repairs are made at factory.

LIST OF PARTS COMPLETE

FOR

MACHINE No. 146-71

MACHINE HEAD ONLY.

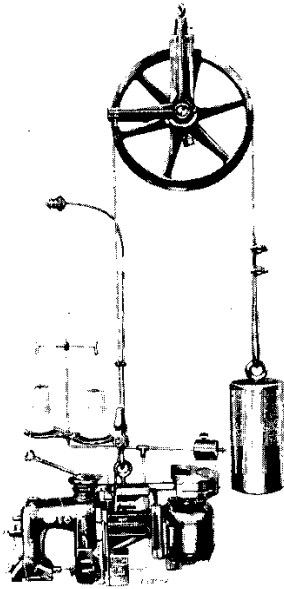
For Medium and Medium Heavy Weight Bags. Length of stitch 3 to 6 to the inch. Clearance under presser foot $\frac{7}{16}$ inch.

No.	Plate	Name
*137003	-----	Arm, upper and lower (solid) with 15404 and two 15405.....
137004	21534	Arm Back Cover.....
1095F	21534	" " " Screw.....
51333J	21534	" " " Oil Plug Screw.....
137005	21534	" " " Tube, for oiling Arm Rock Shaft Intermediate Bearing.....
137006	21534	Arm Oil Tube, for oiling Arm Rock Shaft Front Bearing.....
137010	21535	Arm Oil Tube, for oiling Arm Rotary Shaft Intermediate Bearing.....
137141	21534	Arm Oil Tube 137005 with 137142.....
137143	21534	" " " 137006 with 137142.....
137011	21535	" " " Extension.....
137144	-----	" " " " 137011 with 137143.....
137145	21535	" " " " Oil Cup for 137144, 137146 and 137151 (3).....
137142	21534	Arm Oil Tube Oil Cup for 137141 and 137143 (2).....
137012	21534	Arm Rock Shaft with 624AL.....
137013	-----	" " " 137012 with 130875.....
130708	-----	" " " Bushing (back).....
130709	21534	" " " " " 130708 with 130911.....
130911	21534	Arm Rock Shaft Bushing (back) Oil Wick (braided cotton).....
443AL	21534	Arm Rock Shaft Bushing (back) Set Screw.....
130907	-----	" " " " (intermediate)....
130908	21534	" " " " " 130907 with 130912.....

From the library of: Diamond Needle Corp

No.	Plate	Name
130842	21538	Needle Bar Bushing (lower).....
435AL	21538	" " " " Set Screw....
137067	21538	" " " (upper).....
1133AL	21538	" " " " Set Screw....
130769	21534	" " Connecting Link.....
130875	-----	" " " " 130769 with 130844.....
624AL	21534	Needle Bar Connecting Link Hinge Pin Set Screw.....
130844	21538	Needle Bar Connecting Stud with 1454E...
1454E	21538	" " " " Clamping Screw
1753C	21538	" Clamping Nut.....
137068	21541	" Guard.....
389F	21541	" Screw.....
137149	21535	Oil Reservoir.....
137150	21535	" " Oil Tube.....
137151	21535	Oil Reservoir complete, for oiling Arm Rotary Shaft Back Bearing, Nos. 137145, 137149 and 137150.....
130799	21538	Presser Bar.....
130800	21538	" " Bushing (lower).....
435AL	21538	" " " " Set Screw...
49061	21538	" " " (upper).....
1133AL	21538	" " " " Set Screw...
137152	21538	" " Lifter.....
212D	21538	" " " Cap Screw.....
49064	21538	" " " Hinge Stud.....
448AL	21538	" " " " Set Screw
130801	21538	" " Lifting Bracket with 453AL and 892F.....
892F	21538	Presser Bar Lifting Bracket Adjusting Screw.....
453AL	21538	Presser Bar Lifting Bracket Set Screw...
58048	21538	" " " Link.....
212D	21538	" " " " Cap Screw.....
1253C	21538	" " " " Hinge Screw....
58049	21538	" " " " Spring.....
1241E	21538	" " " " Screw
49067	21539	Stud.....
38468	21539	Presser Bar Spring (flat).....
137079	21541	" " Stud.....
226J	21541	" Foot Compensating Plate.....
18200	21541	" " " " Screw...
137080	21541	" " " " Spring..
137080	21541	" " Finger Guard.....
207J	21541	" " " " Screw.....
137081	21541	" " Hinge Pin.....
137082	21541	" " Plate.....
137083	21541	" " Shank.....

No.	Plate	Name
137084	21541	Presser Foot (compensating, hinged) com- plete, for three to six stitches to the inch, Nos. 207J, 226J, 18200 and 137079 to 137083.....
176J	21541	Presser Foot Screw.....
574W	21539	Pressure Regulating Thumb Screw.....
1539W	21539	" " " " Lock Nut
137131	21535	Pulley (loose) 2 7/8 in. diam., with 200584D.....
137132	-----	Pulley (loose) 137131 with 68714.....
137137	-----	" " 137132 with 137135.....
68714	21535	" " Ball Bearing.....
200584D	21535	" " Oil Plug Screw.....
137135	21535	" " Spacing Collar.....
137134	21535	Pulleys (ball bearing) complete, Nos. 137031 and 137137.....
130959	21539	Slack Thread Controller.....
1095F	21539	" " " Screw.....
2102	21539	Tension (under thread) Disc (2).....
51570C	21539	" " " Regulating Thumb Nut.....
50326C	21539	Tension (under thread) Screw Stud.....
59539	-----	" " " " " 50326C with 51570C.....
59534	21539	Tension (under thread) Spring.....
59537	21539	" " " " Bushing (large).....
59538	21539	Tension (under thread) Spring Bushing (small).....
32572	21539	Tension (under thread) Spring Washer...
130807	21539	" " " Thread Guide...
50530K	21539	" (upper thread, automatic) Body...
15770	21539	" " " " Cap...
130808	21534	" " " " " Releas- ing Cam with 1036AL.....
1036AL	21534	Tension (upper thread, automatic) Re- leasing Cam Set Screw.....
138849	21539	Tension (upper thread, automatic) Re- leasing Pin.....
9540	21539	Tension (upper thread, automatic) Spring
848F	21539	" " " " Stud..
9541	21539	" " " " "
34527	21539	Plug (micarda).....
130849	21539	Tension (upper thread, automatic) com- plete, Nos. 848F, 9540, 9541, 15770 and 50530K.....
190J	21539	Tension (upper thread, automatic) Thread Guide.....
		Tension (upper thread, automatic) Thread Guide Screw.....



MACHINE No. 146-31

For Overhead Suspension. Machine Head 146-71 and Series 38, 1/4 H.P. Dust-Proof Electric Transmitter Motor with a Dust-Proof Switch, bolted to a bracket suspended by a cable with counterbalance at opposite end and a sheave for ceiling suspension. For sewing bags of any height.

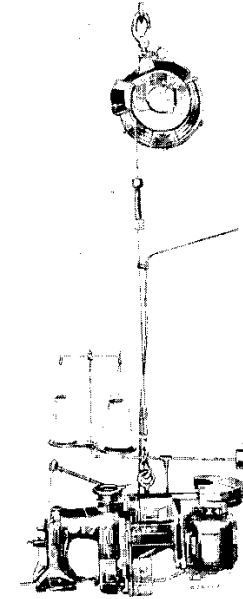
NOTE: ORDER MUST STATE THE NUMBER OF THE MOTOR REQUIRED SO THAT CORRECT VOLTAGE, CYCLES AND PHASE CAN BE FURNISHED.

No.	Plate	Name
46657	-----	Machine Belt, 1/4 in. diam., 36 1/2 in. long, with 25128.....
137123	21544	Machine Belt Guard.....

No.	Plate	Name
333R	21544	Machine Belt Guard Screw (2).....
25128	-----	" " Hook.....
41441	21544	" " Shifter Belt Guide Pin (2)
882AL	21544	" " " " " " Set Screw (2).....
124259	21544	Machine Belt Shifter Bracket with 858AL and two 882AL.....
54640	21544	Machine Belt Shifter Bracket Hinge Stud.
443AL	21544	" " " " " " " Set Screw.....
124260	21544	Machine Belt Shifter Bracket Spring.....
124261	21544	" " " " " " Position Pin.....
554C	21544	Machine Belt Shifter Bracket Spring Screw Eyelet.....
124282	21544	Machine Belt Shifter Handle.....
858AL	21544	" " " " " " Set Screw.
137105	21544	" Bracket with 435AL, 443AL and 50422C.....
137126	21544	Machine Bracket 137105 with 554C, 1178E, 1672R, 1795R, 9082, 20437, 50492R, 50706R, 51617R, 54640, 124259 to 124261, 124282, 124293, 137107, 137109, 137123, 137125 two each 333R, 41441, 50671R and four 731R.....
137107	21544	Machine Bracket Handle.....
435AL	21544	" " " " " " Set Screw.....
731R	21544	" " " " " " Motor Screw (4).....
126573	21544	" Brake (thermold).....
137108	21544	" " Bracket.....
137109	21544	" " " " " " 137108 with 126573 and two 27878.....
1178E	21544	Machine Brake Bracket Screw.....
20437	21544	" " " " " " Washer.....
27878	21544	" " " " " " Rivet (2).....
137110	-----	" Counterbalance (130 lbs.) with 124276.....
137124	21543	Machine Counterbalance (123 1/2 lbs.) with 124276, when used with Series 38 Motors.....
124266	21543	Machine Counterbalance Cable, length 20 ft. (3/8 in.).....
124267	-----	Machine Counterbalance Cable 124266 with 124269.....
124268	21543	Machine Counterbalance Cable Clamp, size 3/8 in. (2).....
124269	21543	Machine Counterbalance Cable Hook.....
124293	21544	" " " " " " Eyebolt
137125	21544	" " " " " " " Bracket.....

From the library of: **Dalhousie University**

No.	Plate	Name
50706R	21544	Machine Counterbalance Cable Hook Eye-bolt Bracket Bolt.....
1795R	21544	Machine Counterbalance Cable Hook Eye-bolt Bracket Bolt Nut.....
1672R	21544	Machine Counterbalance Cable Hook Eye-bolt Lock Nut.....
51617R	21544	Machine Counterbalance Cable Hook Eye-bolt Nut.....
9082	21544	Machine Counterbalance Cable Hook Eye-bolt Nut Cotter Pin.....
137127	21543	Machine Counterbalance Cable Retaining Arm (left and right) with 350C (2).
350C	21543	Machine Counterbalance Cable Retaining Arm Set Screw (2).....
124270	21543	Machine Counterbalance Cable Sheave.....
898622	21543	" " " Grease Cup.....
124271	21543	Machine Counterbalance Cable Sheave Hanger with 344C and 51287C.....
124272	-----	Machine Counterbalance Cable Sheave Hanger 124271 with 1672R, 124289 and 124290.....
124287	-----	Machine Counterbalance Cable Sheave Hanger 124272 with 124270, 124275, 137128, 898622 and two 137127.....
124289	21543	Machine Counterbalance Cable Sheave Hanger Eyebolt.....
1672R	21543	Machine Counterbalance Cable Sheave Hanger Eyebolt Nut.....
124290	21543	Machine Counterbalance Cable Sheave Hanger Eyebolt Nut Lock Washer.....
344C	21543	Machine Counterbalance Cable Sheave Hanger Eyebolt Set Screw.....
137128	21543	Machine Counterbalance Cable Sheave Hinge Pin.....
51287C	21543	Machine Counterbalance Cable Sheave Hinge Pin Set Screw.....
124275	21543	Machine Counterbalance Cable Sheave Roller Bearing.....
124276	21543	Machine Counterbalance Eyebolt.....
-----	-----	" " Weight Equalizer (3/16 shot) 10 lbs.....
Note: When ordering Weight Equalizer, amount required must be stated in lbs. or ozs.		
50548R	21544	Machine Screw (long).....
1588R	21544	" " Nut.....
9281	21544	" " Washer.....
50916R	21544	" " (lower).....
50492R	21544	" " (short).....
50671R	21544	Switch Screw (2).....



MACHINE No. 146-33

For Overhead Suspension. Machine Head 146-71 and Series 38, 1/4 H.P. Dust-Proof Electric Transmitter Motor with a Dust-Proof Switch, bolted to a bracket suspended by a cable with a spring balancing device which permits moving the machine head up or down to accommodate bags of any height.

NOTE: ORDER MUST STATE THE NUMBER OF THE MOTOR REQUIRED SO THAT CORRECT VOLTAGE, CYCLES AND PHASE CAN BE FURNISHED.

No.	Plate	Name
137157	21545A	Machine Balancer with 137158.....
137235	21546	" " Auxiliary Cable.....

No.	Plate	Name
124268	21546	Machine Balancer Auxiliary Cable Clamp, size 3/8 in. (2).....
137236	21546	Machine Balancer Auxiliary Cable complete, Nos. 137235 and two 124268....
124293	21544	Machine Balancer Cable Hook Eyebolt.....
137125	21544	" " " " " Bracket
50706R	21544	" " " " " "
		Bolt.....
1795R	21544	Machine Balancer Cable Hook Eyebolt Bracket Bolt Nut.....
1672R	21544	Machine Balancer Cable Hook Eyebolt Lock Nut.....
51617R	21544	Machine Balancer Cable Hook Eyebolt Nut.
9082	21544	" " " " " "
		Cotter Pin.....

SINGER Needles should be used in SINGER Machines. These Needles and their Containers are marked with the Company's Trade-Mark "SIMANCO.**" 1

Needles in Containers marked "FOR SINGER MACHINES" are NOT SINGER made needles. 2

REPLACEMENT PARTS FOR MACHINE BALANCER No. 137157.

CAUTION: DO NOT ORDER PARTS BY THOR BALANCER SYMBOL WHICH IS STAMPED ON THE PART. ORDER ONLY BY SINGER PART NO.

Singer Part No.	Thor Balancer Symbol	Plate	Name
137159	20206	21545B	Cable.....
145021	20150	21545B	Cable Clamp complete.....
137239	20156	21545B	" Collar.....
145022	20139	21545A	" Drum.....
137248	64154	21545A	" " Brake (fibre).....
145023	64153	21545A	" " " Housing.....
50674E	25242	21545B	" " " " Screw (2).
1515E	20035	21545B	" " " " " Nut (2).....
67425	20013	21545B	Cable Drum Brake Housing Screw Nut Washer (2).....
137249	64155	21545A	Cable Drum Brake Tension Spring.....
140339C	20174	21545A	" " " " " Screw
137250	66487	21545A	" " Cover.....
140355E	61433	21545A	" " " Screw (4).....
67425	20013	21545A	" " " Lock Washer (4)
145024	60663	21545A	" " Shaft.....
145001	20152	21545A	" " Adjusting Wheel....
145025	20161	21545A	" " " " " Cover
140356E	58646	21545A	" " " " " " Screw (3).....
67425	20013	21545A	Cable Drum Shaft Adjusting Wheel Cover Screw Lock Washer (3).....
145026	35827	21545A	Cable Drum Shaft Adjusting Wheel Key
145002	2060	21545A	" " " " " "
145003	20158	21545A	Thrust Bearing.....
145004	20151	21545A	Cable Drum Shaft Adjusting Wheel Thrust Washer.....
137240	58658	21545B	" Guide Roller.....
137241	58657	21545B	" " " Bracket.....
140336C	58661	21545B	" " " " " Adjusting Screw (2).....
1515E	20035	21545B	Cable Guide Roller Bracket Adjusting Screw Nut (2).....
67425	20013	21545B	Cable Guide Roller Bracket Adjusting Screw Washer (2).....

PARTS FOR MACHINE No. 146-33
REPLACEMENT PARTS FOR MACHINE BALANCER NO. 137157

Singer Part No.	Thor Balancer Symbol	Plate	Name
140337E	58660	21545B	Cable Guide Roller Bracket Cap Screw
126846	15051	21545B	" " " " " " "
			Lock Washer.....
137242	58659	21545B	Cable Guide Roller Pin.....
137243	58663	21545B	Cable Guide Roller with Bracket complete, Nos. 137240 to 137242.....
145027	58650	21545B	Cable Hook.....
137244	58653	21545B	" Protecting Hose and Bumper (2)
137245	60671	21545B	" " " " " Stop
137246	64151	21545A	" Stop Cam.....
145018	20176	21545A	" " " Bushing.....
145020	64152	21545A	" " " Plunger.....
137247	64150	21545A	" " " Spring.....
140338C	50371	21545A	" " " " Adjusting Screw.....
145028	64149	21545A	Cable Stop Cam Plunger Spring Housing.....
145017	20175	21545A	Cable Stop Cam Screw Stud.....
1796E	20179	21545A	" " " " " Nut.....
145029	58654	21545B	" " " Clamp (two pieces).....
50807E	58652	21545B	" " " Screw (2).....
51708E	35228	21545B	" " " Nut (2).....
126150	15009	21545B	" " " " " Lock Washer (2).....
145030	58655	21545B	Cable Stop Clamp complete, Nos. 145029 and two each 50807E, 51708E and 126150.....
145031	20162	21545B	Cable Thimble.....
145032	20137	21545A	Frame.....
145033	66484	21545A	" Cover.....
145034	66486	-----	" " 145033 with 145018.....
140356E	58646	21545A	" " " Screw (6).....
67425	20013	21545A	" " " Lock Washer (6).....
145005	58817	21545A	Main Spring with 145036 (No. "60" stamped on spring (2).....
Note: No. 137157 uses two Main Springs No. 145005.			
145035	20143	21545A	Main Spring Adjusting Screw.....
145036	20171	21545A	" " Keeper Ring (2).....
145037	61435	21545A	" " " Retainer Pin
145038	60665	21545A	" " Plate.....
145039	20166	21545A	" " Safety Lever.....
9082	57503	21545A	" " " Cotter Pin.
145040	20163	21545A	" " " Plate.....
145041	20165	21545A	" " " Plunger (inside)
145007	20149	21545A	" " " " "
			Compression Spring.....
145008	20167	21545A	Main Spring Safety Plunger (inside) Cushion Spring.....
145019	59750	21545B	Main Spring Safety Plunger (outside)
145007	20149	21545B	" " " " "
			Compression Spring.....
145009	59751	21545B	Main Spring Safety Plunger (outside) Lock Ring.....

REPLACEMENT PARTS FOR MACHINE BALANCER NO. 137157

Singer Part No.	Thor Balancer Symbol	Plate	Name
145042	61436	21545A	Main Spring Separating Ring.....
145043	20141	21545A	" " Sleeve (2).....
145044	35602	21545B	Safety Eyebolt.....
701481	-----	21545B	" " Lock Washer.....
145045	20140	21545A	Suspension Hook.....
145046	20154	21545A	" " Latch.....
145047	20155	21545A	" " " Pin (2).....
145048	20153	21545A	" " " Spring.....
145049	58647	21545A	Suspension Hook complete, Nos. 145045, 145046, 145048 and two 145047.....
137158	20145	21545B	Socket Wrench.....
145050	20144	21545A	Swivel Stud.....
145051	20157	21545A	" " Ball Ring.....
145052	20169	21545A	" " Brake (brass).....
50959E	20170	21545A	" " " Adjusting Screw.....
51709E	2062	21545A	" " " " " Nut
145010	2061	21545A	" " " Spring.....
145053	20164	21545A	" " Bushing.....
145054	20146	21545A	" " Locking Pin (grooved).....

No.	Plate	Name
46657	-----	Machine Belt, 1/4 in. diam., 36 1/2 in. long, with 25128.....
137123	21544	Machine Belt Guard.....
333R	21544	" " " Screw (2).....
25128	-----	" " Hook.....
41441	21544	" " Shifter Belt Guide Pin (2)
882AL	21544	" " " " " " Set Screw (2).....
124259	21544	Machine Belt Shifter Bracket with 858AL and two 882AL.....
54640	21544	Machine Belt Shifter Bracket Hinge Stud.
443AL	21544	" " " " " " Set Screw.....
124260	21544	Machine Belt Shifter Bracket Spring.....
124261	21544	" " " " " " Position Pin.....
554C	21544	Machine Belt Shifter Bracket Spring Screw Eyelet.....
124282	21544	Machine Belt Shifter Handle.....
858AL	21544	" " " " " " Set Screw...
137105	21544	" Bracket with 435AL, 443AL and 50422C.....
137126	21544	Machine Bracket 137105 with 554C, 1178E, 1672R, 1795R, 9082, 20437, 50492R, 50706R, 51617R, 54640, 124259 to 124261, 124282, 124293, 137107, 137109, 137123, 137125, two each 333R, 41441, 50671R and four 731R.....
137107	21544	Machine Bracket Handle.....
435AL	21544	" " " " " " Set Screw.....
731R	21544	" " " " " " Motor Screw (4).....
126573	21544	" Brake (thermo).....
137108	21544	" " Bracket.....
137109	21544	" " " " " " 137108 with 126573 and two 27878.....
1178E	21544	Machine Brake Bracket Screw.....
20437	21544	" " " " " " Washer.....
27878	21544	" " " " " " Rivet (2).....
50548R	21544	" Screw (long).....
1588R	21544	" " " " " " Nut.....
9281	21544	" " " " " " Washer.....
50916R	21544	" " " " " " (lower).....
50492R	21544	" " " " " " (short).....
50671R	21544	Switch Screw (2).....

FITTINGS FOR SINGLE THREAD CHAIN STITCH

No.	Plate	Name
137078	21542	Feed Dog, 10 teeth (10 teeth to the inch)
130838	21542	Looper.....
137079	21542	Presser Foot Compensating Plate.....
226J	21542	" " " " " " Screw...
18200	21542	" " " " " " Spring..
137080	21542	" " " " " " Finger Guard.....
207J	21542	" " " " " " Screw.....
137081	21542	" " " " " " Hinge Pin.....
137082	21542	" " " " " " Plate.....
137083	21542	" " " " " " Shank.....
137084	21542	Presser Foot (compensating, hinged) complete for three to six stitches to the inch, Nos. 207J, 226J, 18200 and 137079 to 137083.....
145015	21542	Throat Plate with 665J and 145012, for three to six stitches to the inch.
145012	21542	Throat Plate Thread Retainer.....
665J	21542	" " " " " " Screw.....

ACCESSORIES

No.	Plate	Name
120344	21547	Oiler (copper plated) with 120345.....
120345	21547	" Spout, 4 1/2 in. long.....
11831	21547	Screw Driver (large).....
26026	21547	" " (medium).....
26485	21547	" " (small).....
120341	21547	Tweezers (curved).....
8908	21547	Wrench for 1708 and 1753.....
8909	21547	" " 1518 and 1714.....
27662	21547	" " 1508.....

THREAD UNWINDER

FOR TWO SPOOLS OR TWO LARGE CONES OF THREAD
FOR 146-71 MACHINE

No.	Plate	Name
225257	21549	Spool Rest with 201018C.....
150203	21549	" " Cushion (felt) (2).....
225388	21549	" " Rod.....
200383C	21549	" " " Set Screw.....
201018C	21549	" " Set Screw.....
202490	21549	" Stand with 200383C.....
225391	21549	Thread Guide (2).....
201696J	21549	" " Lock Nut.....
225326	21549	" " Position Cup.....
225324	21549	" " Rod with 208AL and 225322.
208AL	21549	" " " Screw.....
225322	21549	" " Washer.....
150058	21549	" Separator with Bracket.....
150060	21549	" " Bracket Arm with 164J and 9525.....
164J	21549	Thread Separator Bracket Arm Clamping Screw.....
9525	21549	Thread Separator Bracket Arm Clamping Screw Washer.....
164J	21549	Thread Separator Bracket Arm Screw.....
9525	21549	" " " Washer
150061	-----	Thread Separator complete, Nos. 164J, 9525, 150058 and 150060.....
150853	21549	Thread Unwinder complete, Nos. 150061, 201696J, 202490, 225257, 225324, 225326, 225388, two each 150203, 225391 and three wood screws 7/8 in. No. 12....
27739	21549	Thread Cone (wood) for large cones.....
225390	21549	" " Holder for inverted cones...

Note: Nos. 27739 and 225390 are used with but not included in 150853.

THREAD UNWINDER

(FOR TWO SPOOLS)
FOR 146-31 AND 146-33 MACHINES

No.	Plate	Name
124278	21548	Counterbalance with 51288R.....
51288R	21548	" Thumb Screw.....
225257	21548	Spool Rest with 201018C.....

THREAD UNWINDER

No.	Plate	Name
150203	21548	Spool Rest Cushion (felt) (2).....
124295	21548	" " Rod with 123183.....
123183	21548	" " " Cotter Pin.....
124296	21548	" " " Extension.....
137155	21548	" " " Coupling with three 1157C.....
1157C	21548	Spool Rest Rod Extension Coupling Set Screw (3).....
50422C	21544	Spool Rest Rod Extension Set Screw.....
201018C	21548	" " Set Screw.....
225391	21548	Thread Guide (2).....
201696J	21548	" " Lock Nut.....
225326	21548	" " Position Cup.....
225324	21548	" " Rod with 208AL and 225322.
208AL	21548	" " " Screw.....
225322	21548	" " " washer.....
124298	21548	Thread Unwinder complete, Nos. 124278, 124295, 124296, 137155, 201696J, 225257, 225324, 225326 and two each 150203 and 225391.....

SINGER Needles should be used
in SINGER Machines.
These Needles and their Containers
are marked with the
Company's Trade-Mark "SIMANCO."** 1

Needles in Containers marked
"FOR SINGER MACHINES"
are NOT **SINGER** made needles. 2

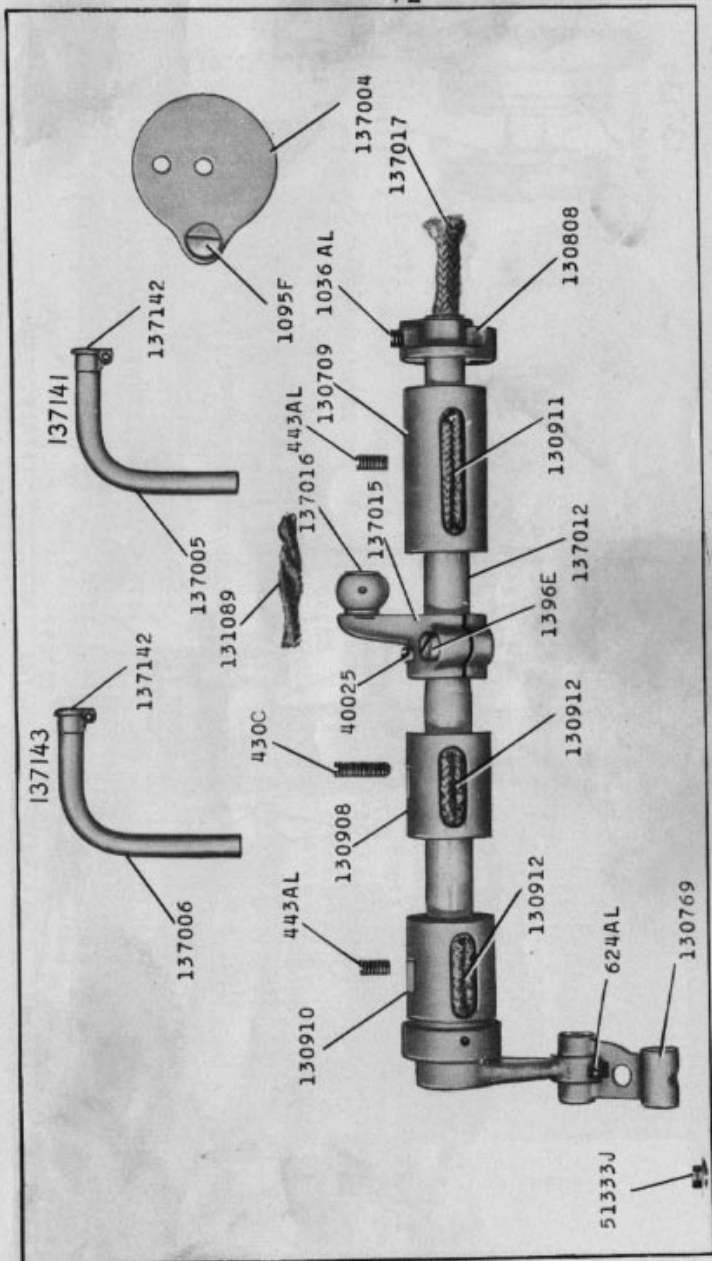
OBSOLETE PARTS

No.	Plate	Name
137032	-----	Cloth Plate, obsolete, superseded by 145013, not interchangeable.....
137033	-----	Cloth Plate complete, Nos. 49054, 58002, 137032, 137064 and two 226J, obsolete, superseded by 145014, not interchangeable.....
137085	-----	Throat Plate, for double thread chain stitch for 137078, for three to six stitches to the inch, obsolete, superseded by 145016, not interchangeable.....
145011	-----	Throat Plate with 665J and 145012 for single thread chain stitch, obsolete, superseded by 145015, not interchangeable.....
51023F	-----	Throat Plate Screw (small) obsolete, superseded by 691F, not interchangeable.....

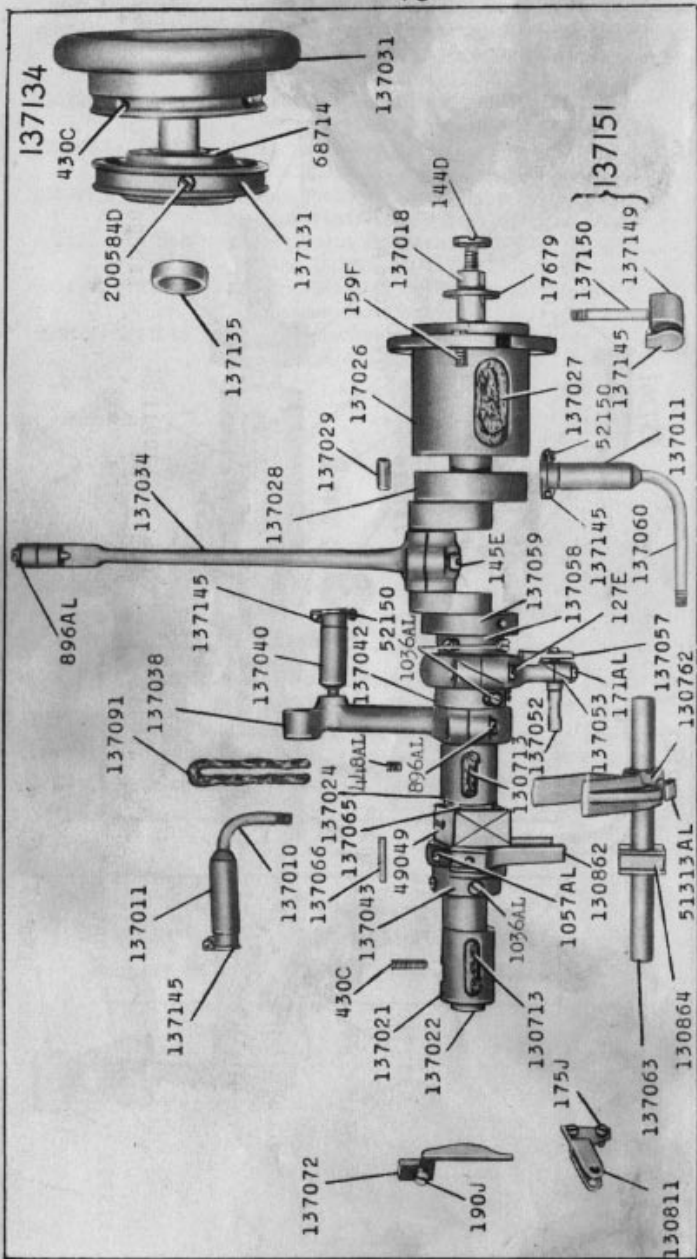
SINGER Needles should be used
in SINGER Machines.
These Needles and their Containers
are marked with the
Company's Trade-Mark "SIMANCO.***" 1

Needles in Containers marked
"FOR SINGER MACHINES"
are NOT **SINGER** made needles. 2

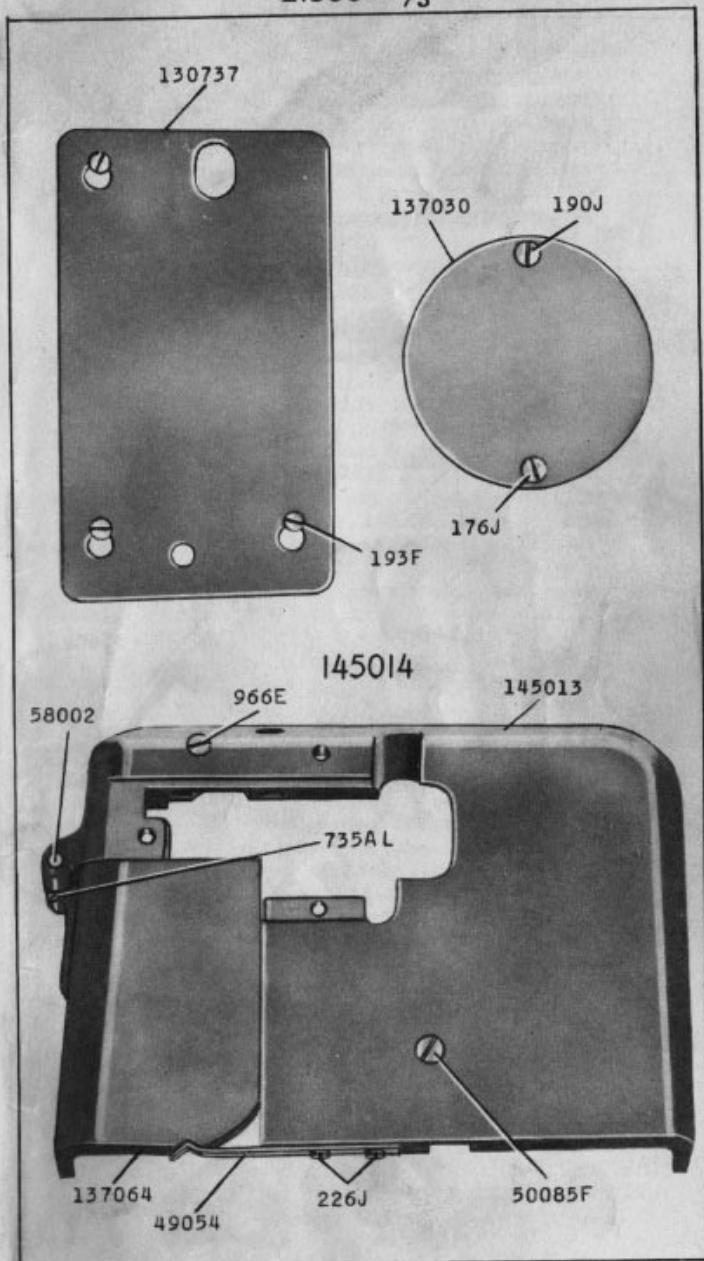
21534 - 1/2



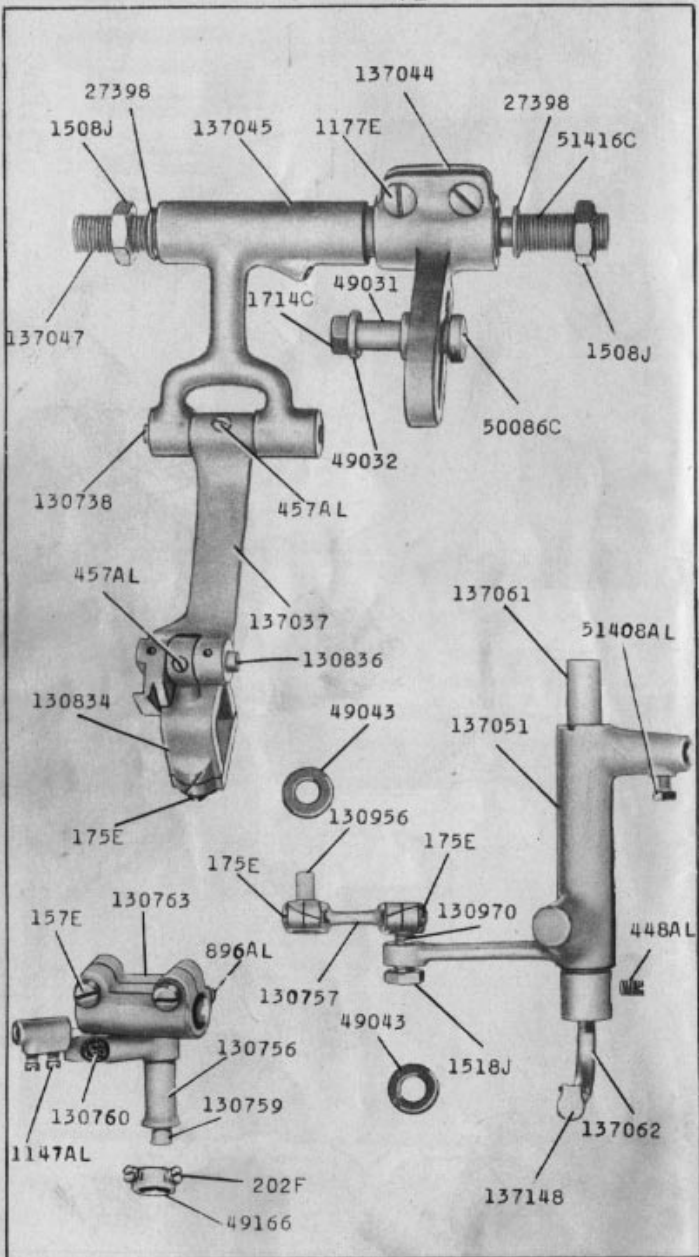
21535 - 1/3



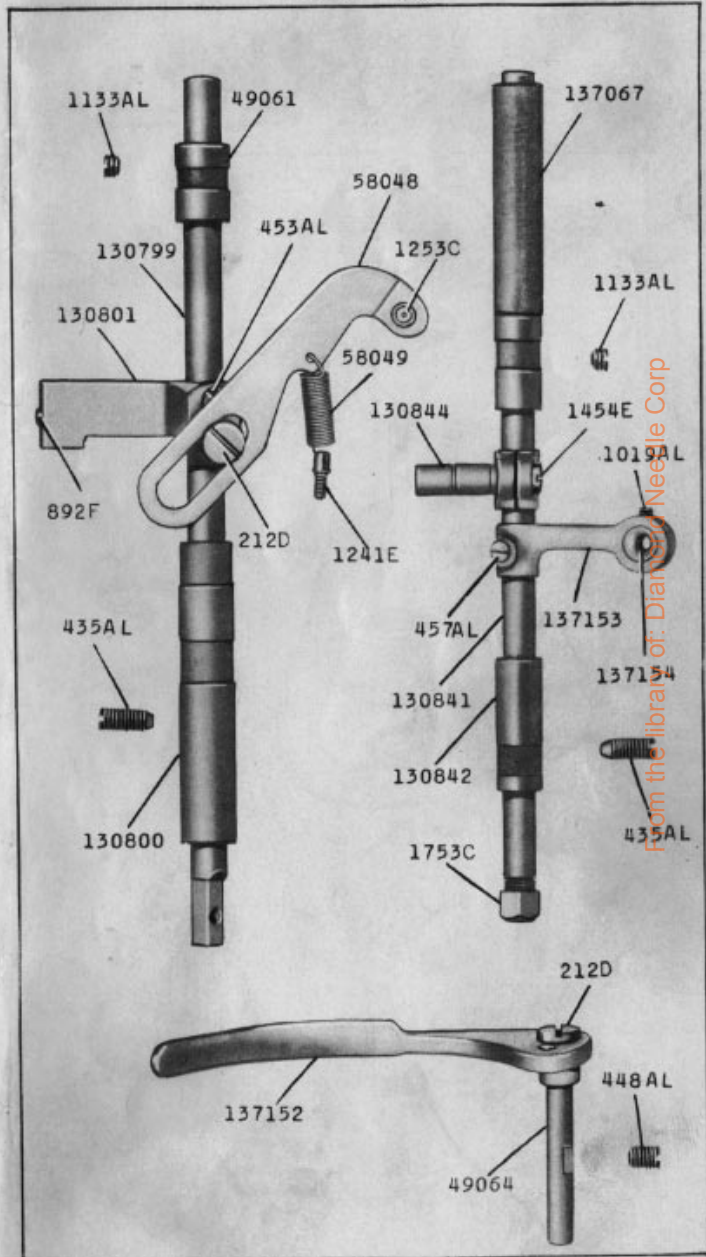
21536 - 1/3



21537 - 1/2

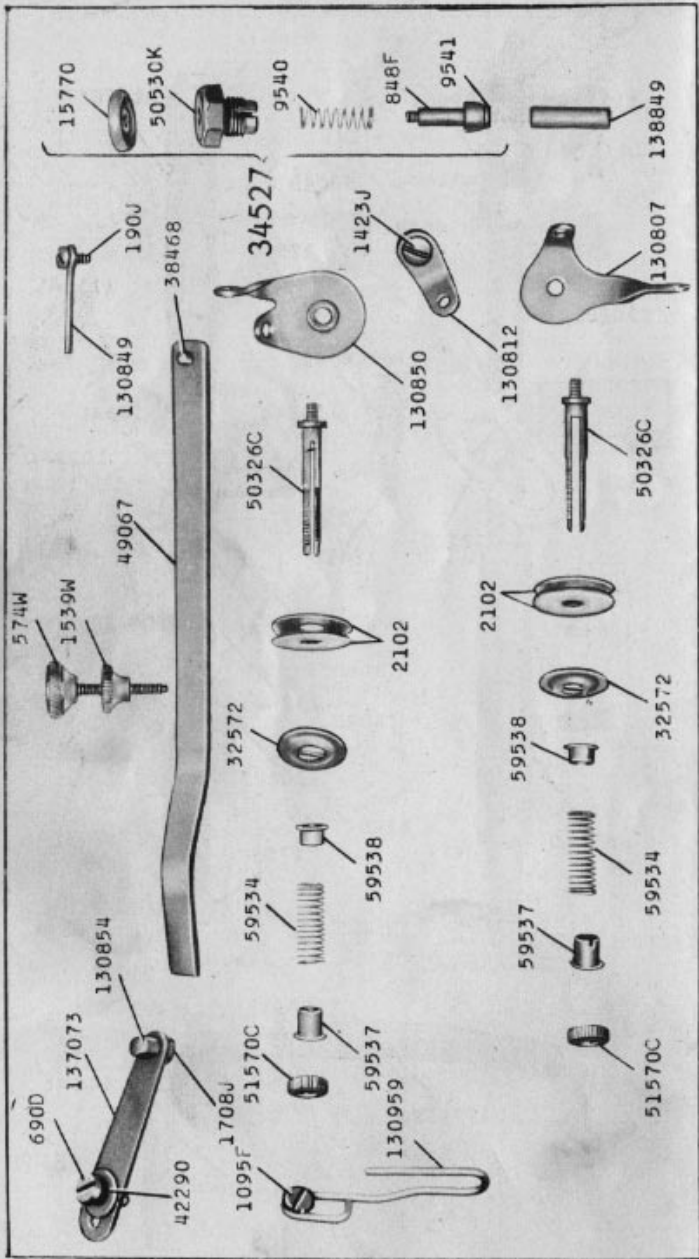


21538 - 2/3

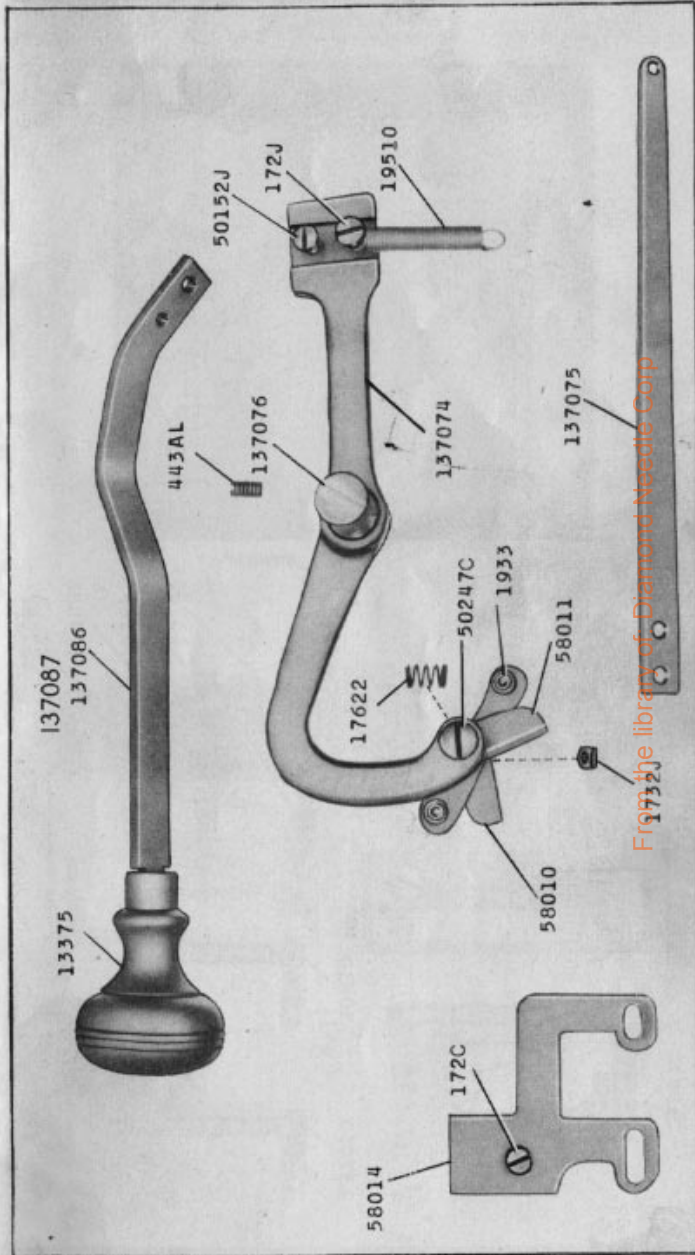


From the library of: Diana's Needle Corp

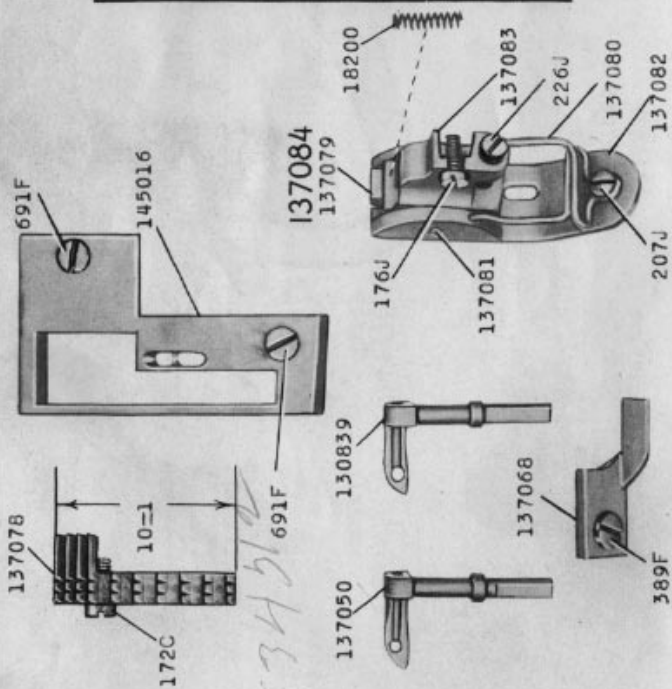
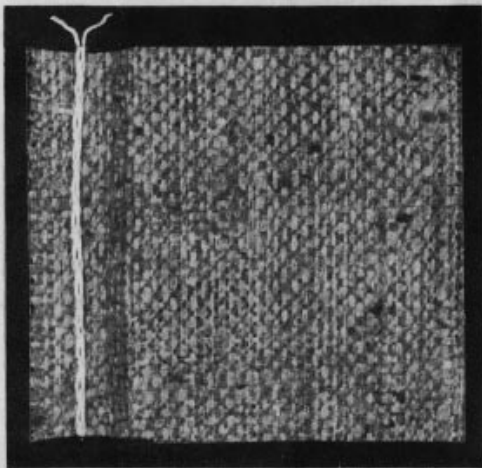
21539 - 1/2



21540 - 1/2

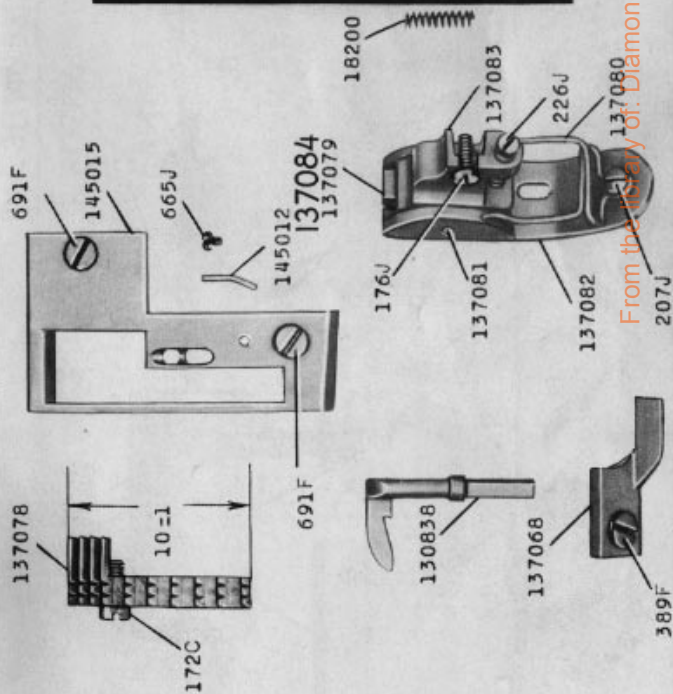
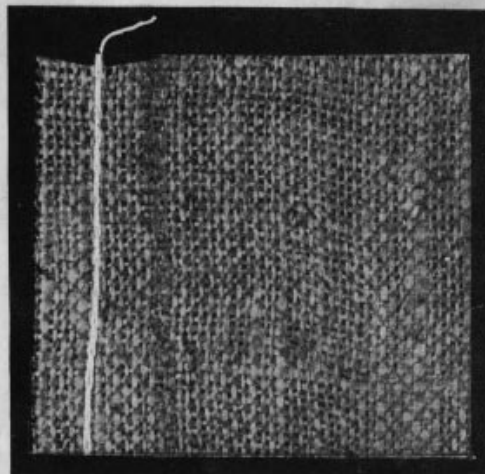


21541 - 2/3



21542 - 2/3

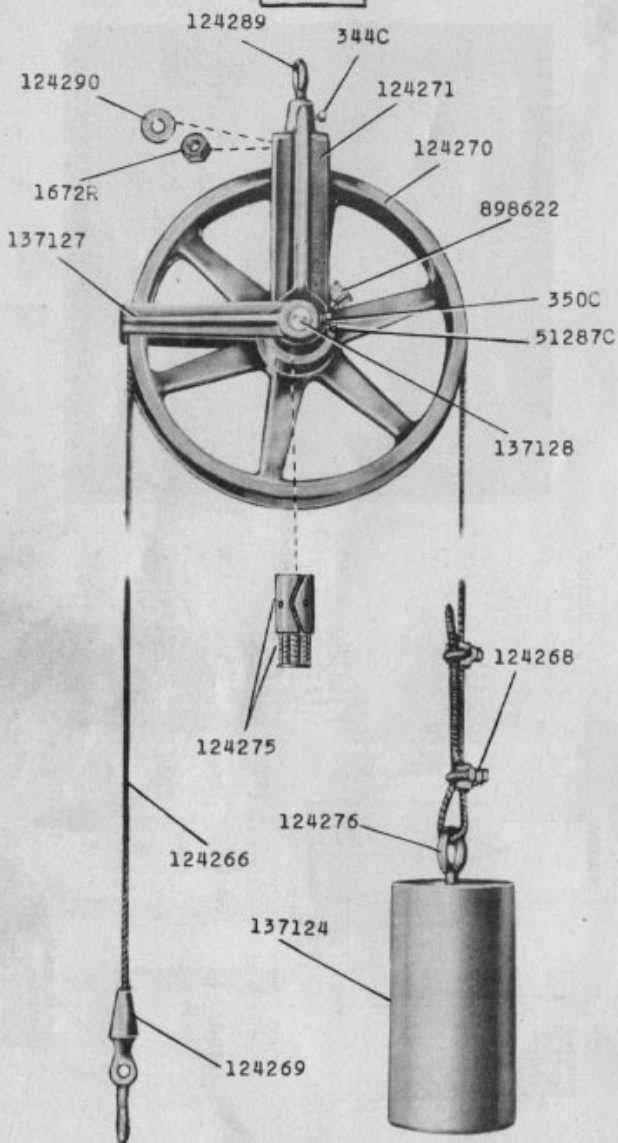
146-71



From the library of: Diamond Needle Corp

21543 - 1/8

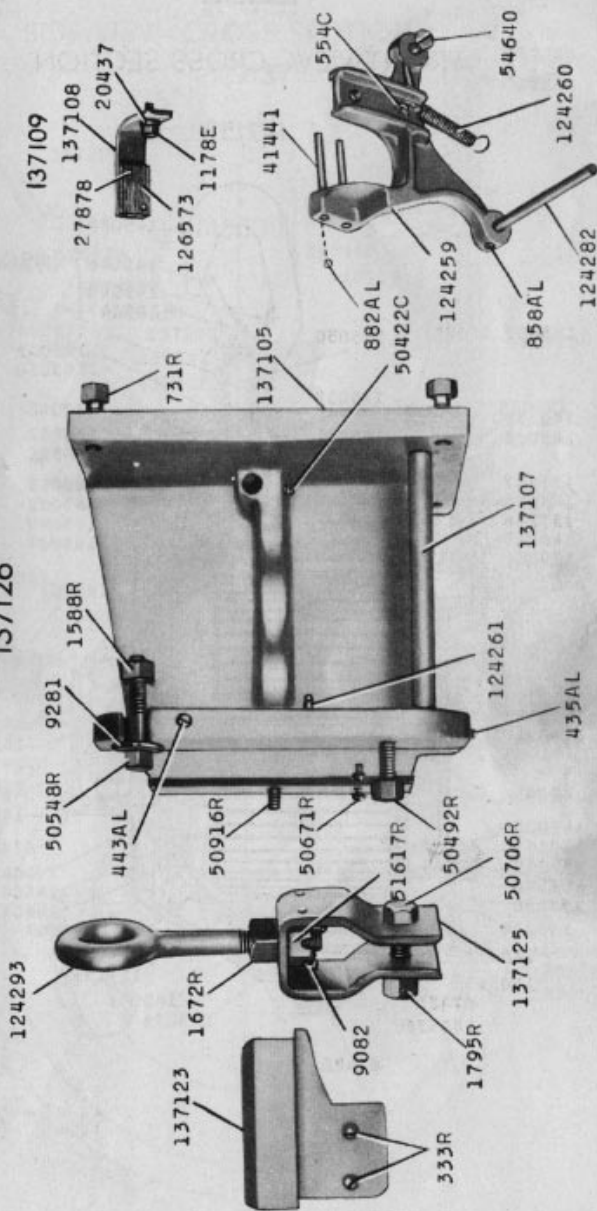
146-31



21544 - 1/4

146-31, 146-33

137126

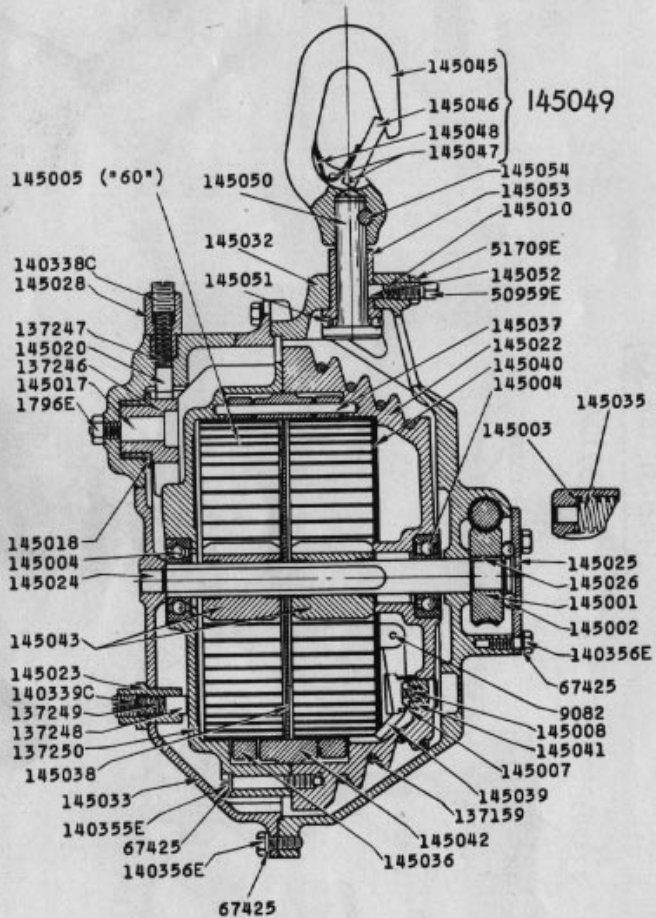


21545A

146-33

FRONT VIEW - CROSS SECTION

137157

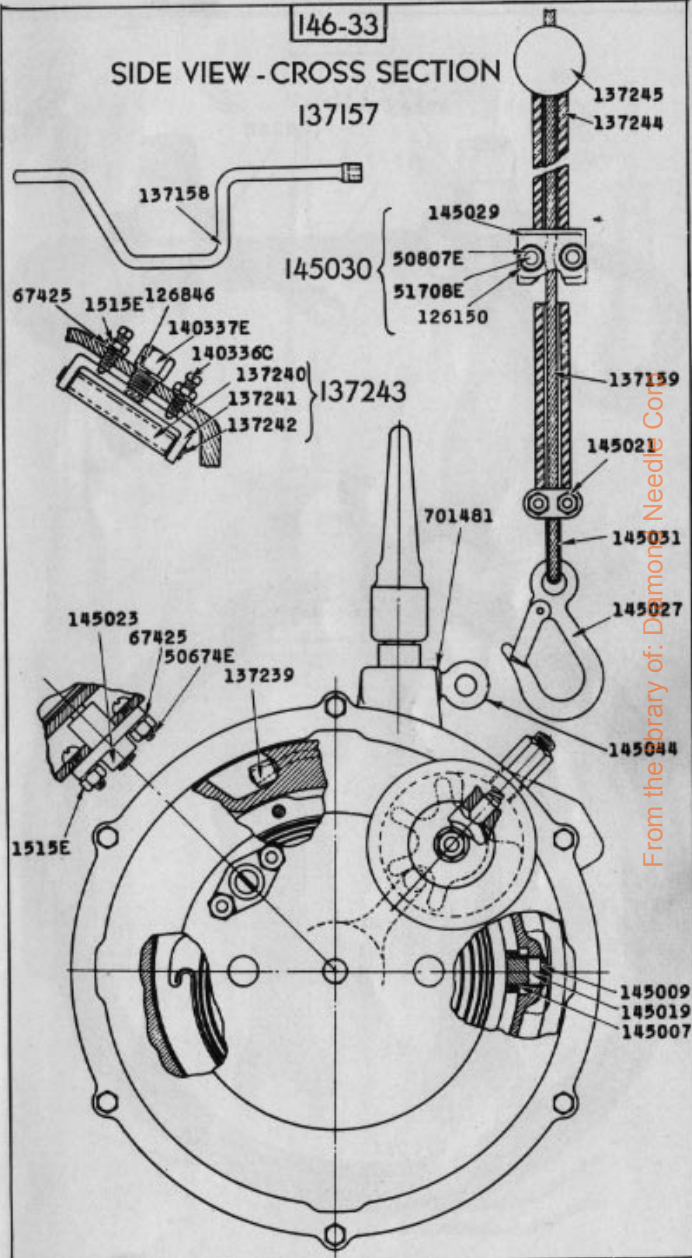


21545B

146-33

SIDE VIEW - CROSS SECTION

137157



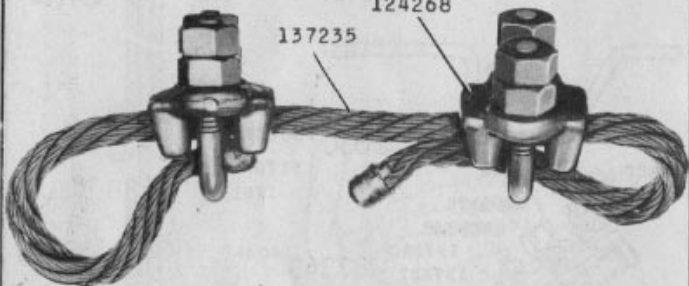
21546 - 1/2

146-33

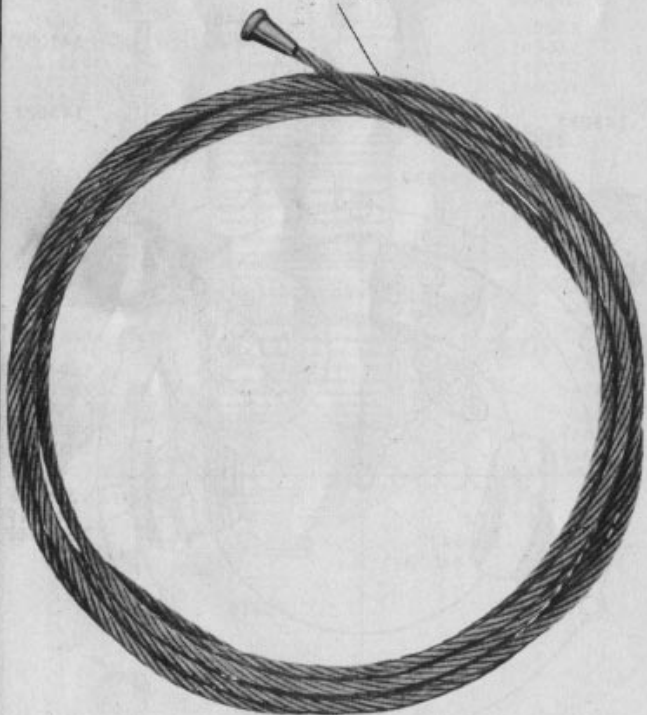
137236

124268

137235



137159



21547 - 1/2

120344

26485

26026

11831

120345

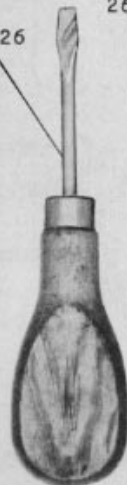
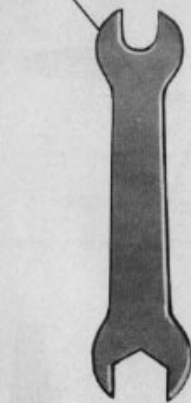


27662

8909

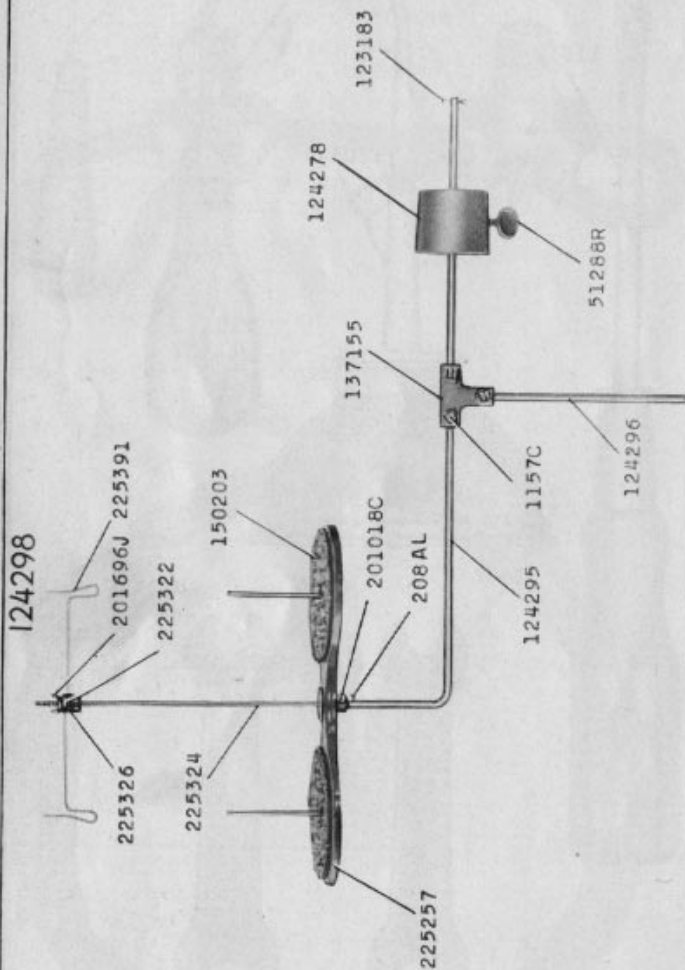
8908

120341



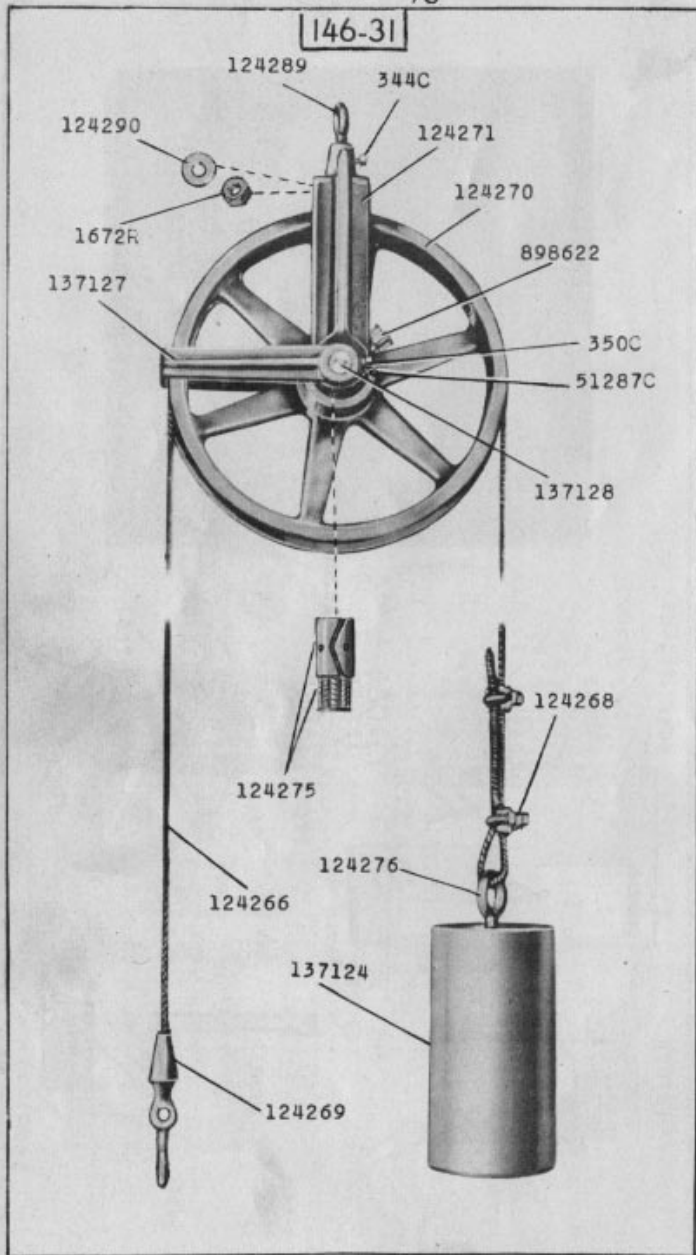
21548 - 1/6

146-31, 146-33



21543 - 1/8

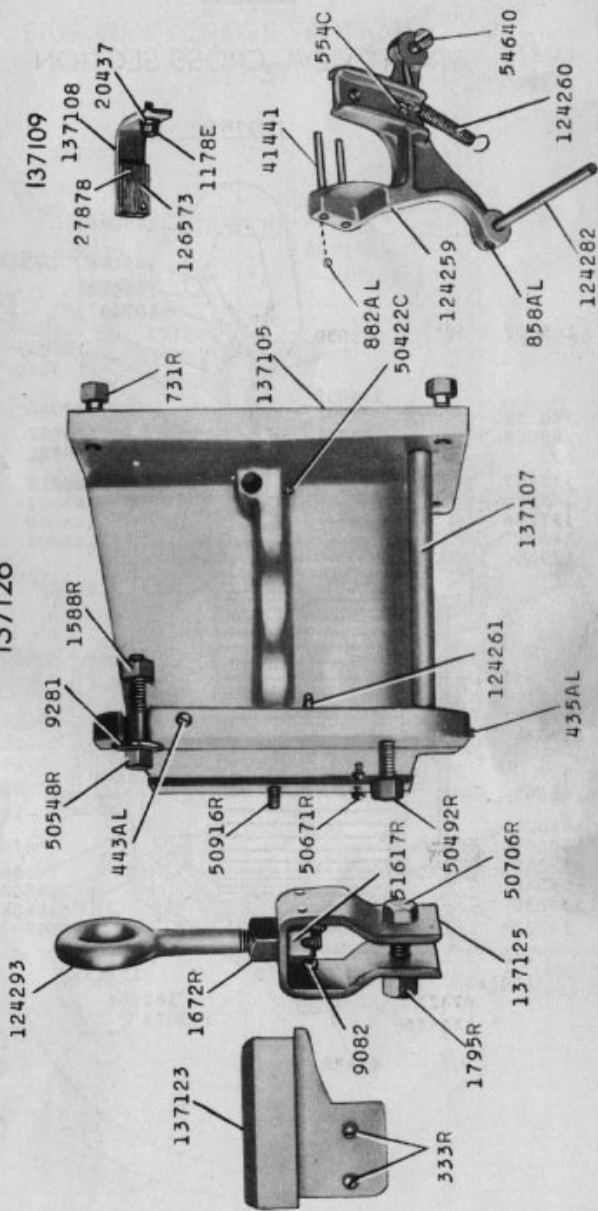
146-31



21544 - 1/4

146-31, 146-33

137126

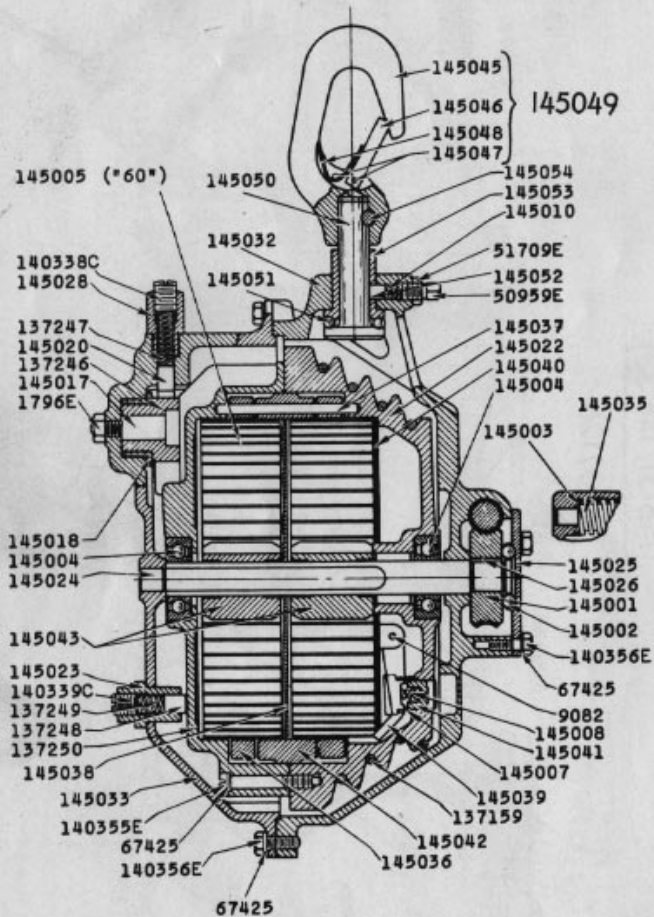


21545A

146-33

FRONT VIEW - CROSS SECTION

137157

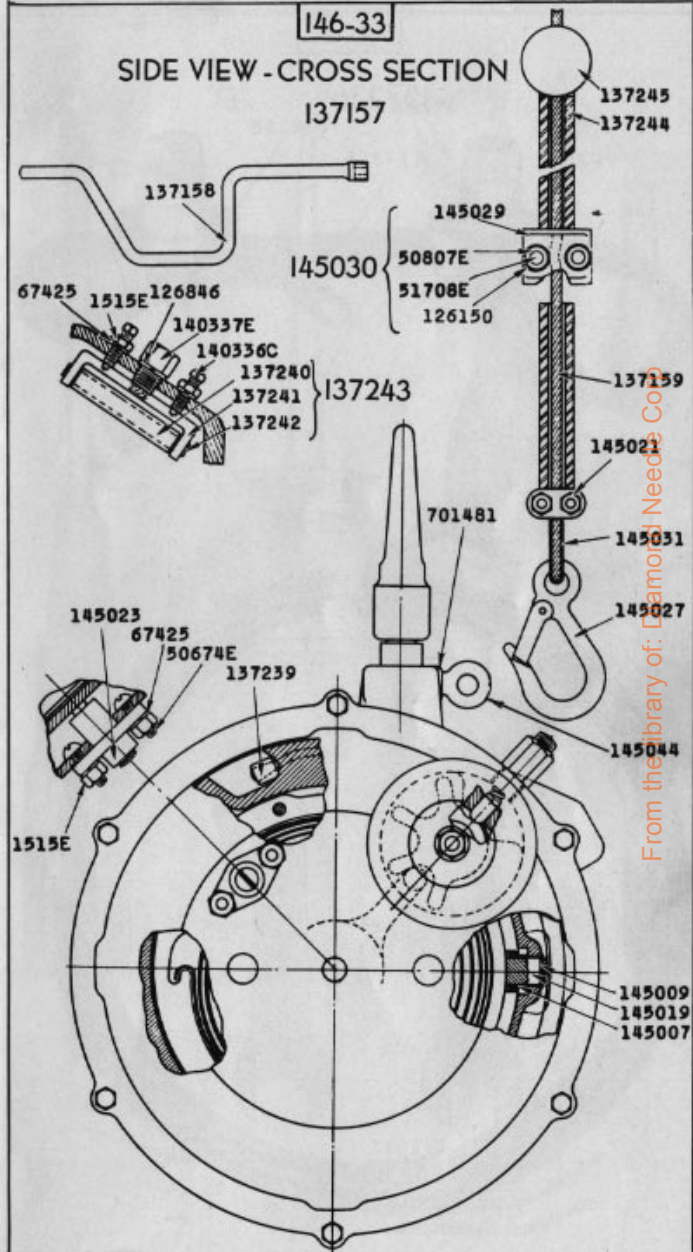


21545B

146-33

SIDE VIEW - CROSS SECTION

137157



From the library of: Diamond Needs Co

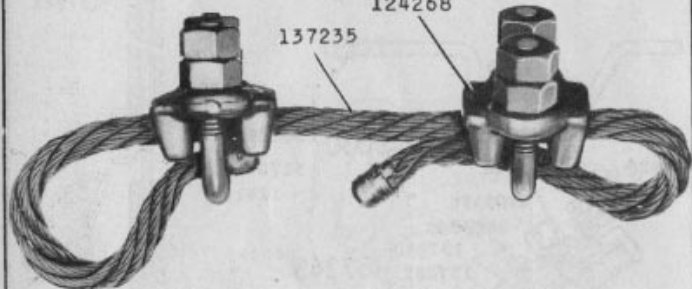
21546 - 1/2

146-33

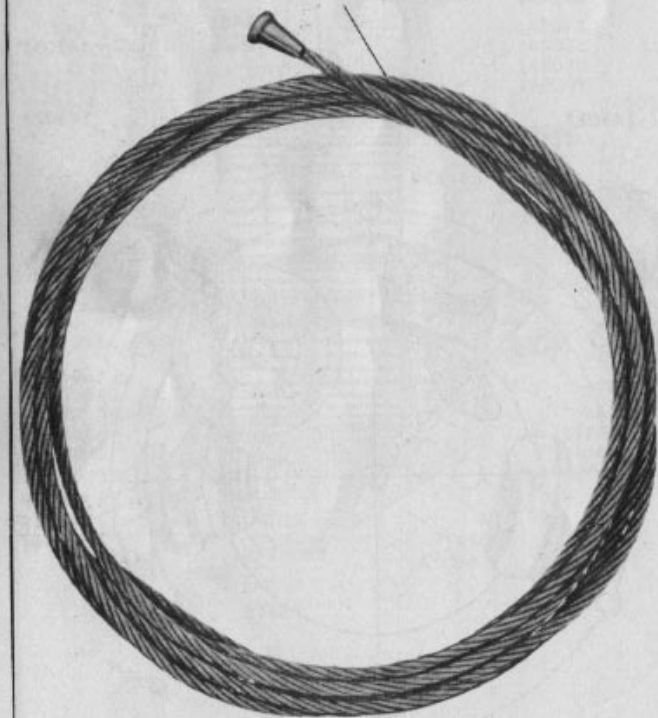
137236

124268

137235



137159



21547 - 1/2

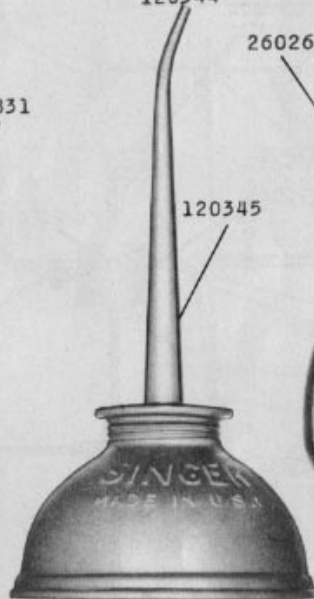
120344

26485

26026

11831

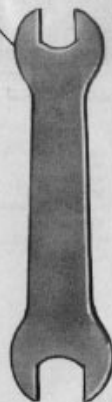
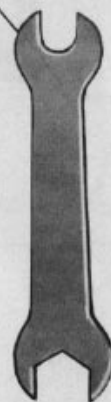
120345



27662

8909

8908



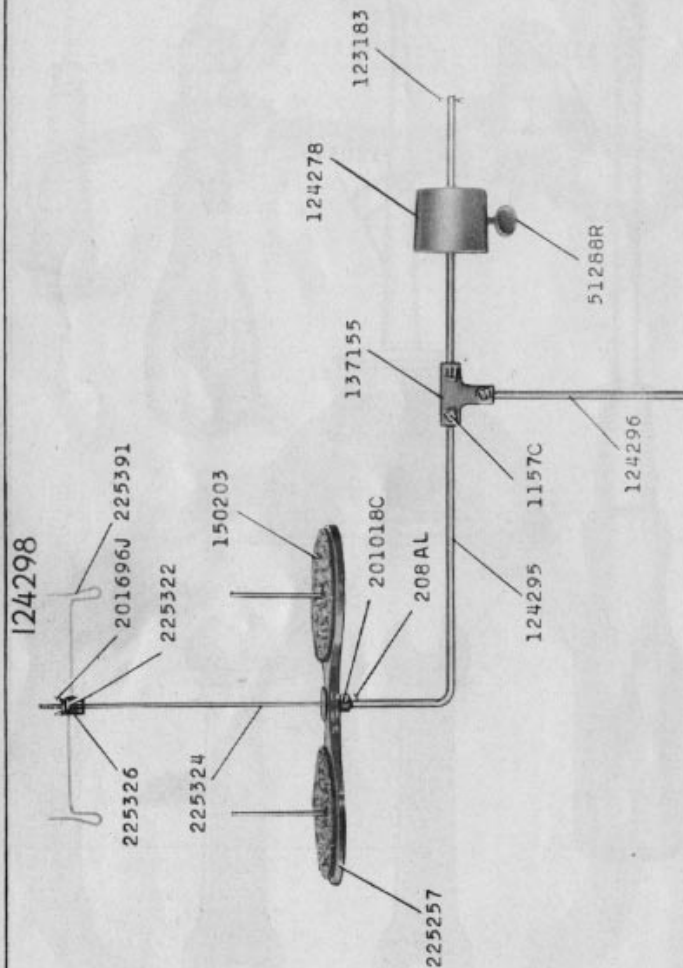
120341



From the library of: Diamond Needle Corp

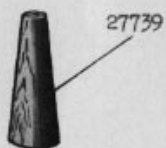
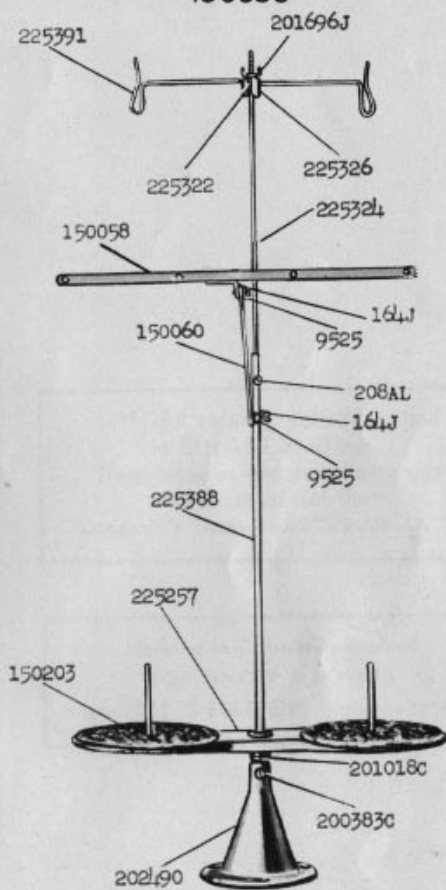
21548 - 1/6

146-31, 146-33



21549 - 1/6

150853



146-71